

PRECISION IRRIGATION SPRINKLERS

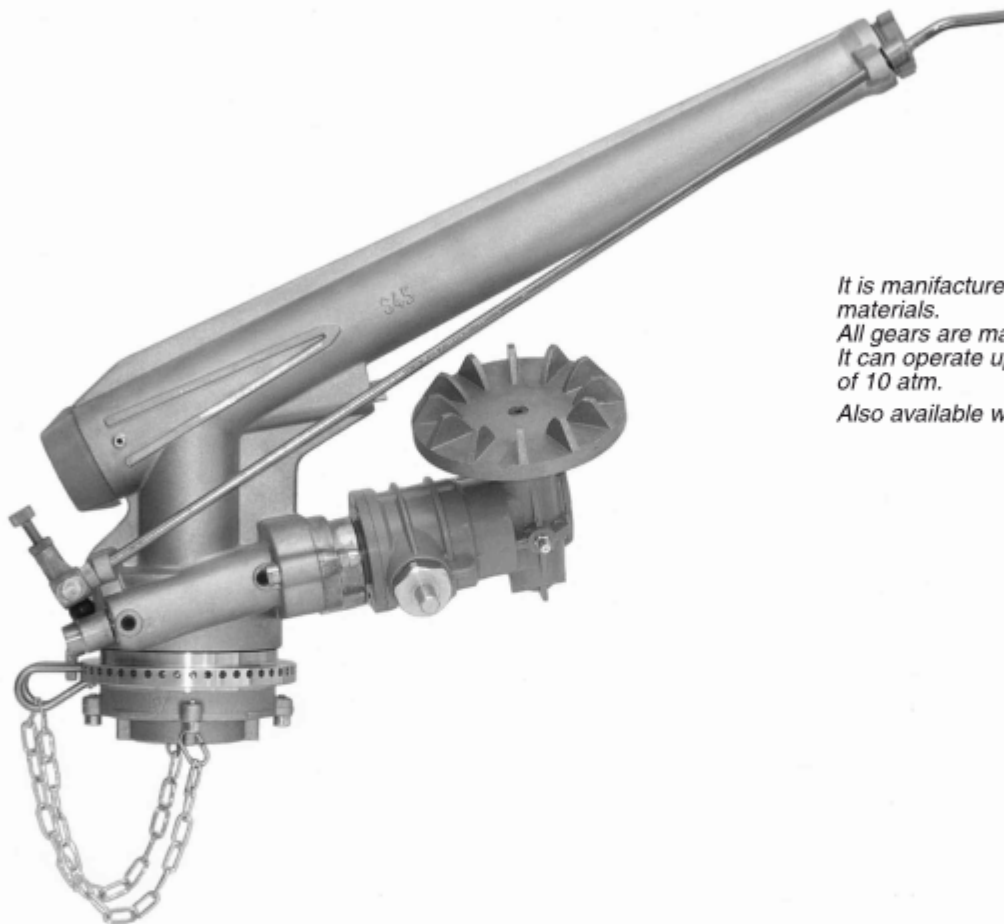
S45 HIGH PRESSURE

MEDIUM THROW

Female thread connection

1" 1/2 BSP

1" 1/2 NPT



It is manufactured with high quality materials.
 All gears are made of metal.
 It can operate up to a pressure of 10 atm.
 Also available without jet-breaker

- Turbine sprinkler
- Conical pipe: high performances
- Perfect functioning on steep terrain
- No vibrations
- No break
- Intermittent jet-breaker adjustable for better uniformity of the rain
- Suitable for irrigation of delicate crops
- The sprinkler can operate with an angle of just 4°

Nozzle Ø mm	Pressure atm.	Flow l/min	Length of jet m
10	1,5 - 2,0 - 2,5	80 - 93 - 104	18 - 22 - 24
12	2,0 - 3,0 - 4,0	134 - 164 - 190	24 - 29 - 31
14	2,0 - 3,0 - 4,0	183 - 224 - 258	26 - 32 - 34
16	3,0 - 4,0 - 5,0	292 - 337 - 377	33 - 37 - 39
18	3,0 - 4,0 - 5,0	370 - 427 - 477	34 - 37 - 42
20	3,0 - 4,0 - 5,0	456 - 527 - 590	36 - 41 - 46
22	4,0 - 5,0 - 6,0	638 - 713 - 780	42 - 47 - 49
24	4,0 - 5,0 - 6,0	730 - 817 - 895	43 - 48 - 52

The technical characteristics are indicative and not binding